

PRAXAIR

Grab 'n Go[®]

Advanced Respiratory Systems

Before using or working with the Grab 'n Go system, please read and understand the usage and safety instructions provided in this booklet.



Introduction

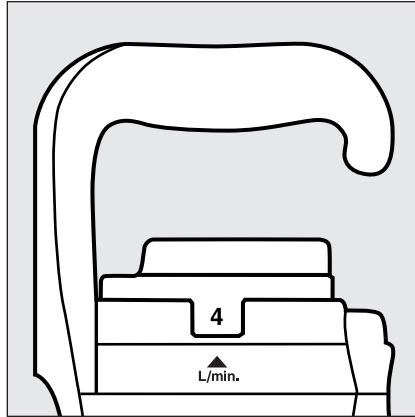
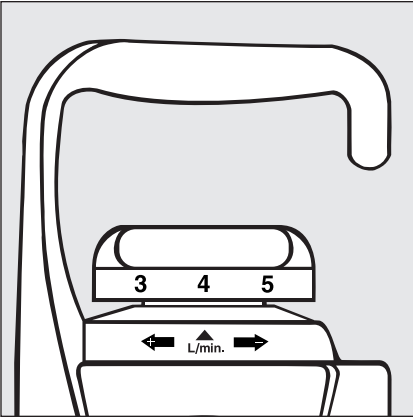
The Praxair *Grab 'n Go[®] III* and *Grab 'n Go Vantage[™]* Advanced Respiratory Systems provide an easy-to-use package for those who need oxygen supplied from portable cylinders. They're easy to use because the oxygen regulator and pressure gauge are combined and permanently attached to the gas cylinder as one unit. This innovative design eliminates difficulties locating and attaching a separate regulator, saving you time and money.

These operating instructions will:

- (1) introduce you to the features of the *Grab 'n Go III* and *Grab 'n Go Vantage* units;
- (2) review the safety precautions for working with oxygen; and
- (3) explain the setup and use of the *Grab 'n Go III* and *Grab 'n Go Vantage* units to ensure that you can use it properly and safely.

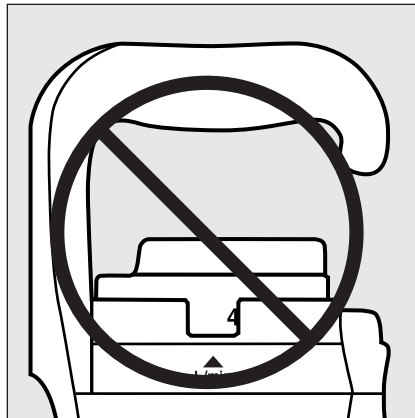
Proper Usage

Correct



The *Grab 'n Go* systems operate **ONLY** when positioned at the flow rates marked on the flow-adjusting knob. The flow rates are marked in liters per minute. If the intended flow rate is not marked on the flow-adjusting knob, **DO NOT ATTEMPT TO USE THE SYSTEM**. Consult your physician for a different flow rate or a different system.

Incorrect



DO NOT OPERATE THE SYSTEM BETWEEN MARKED FLOW RATE SETTINGS. Remember oxygen flows properly only when the flow-adjusting knob is stopped at one of the numbered click stops. Always verify flow with the patient's end of the tubing before applying.



Series III and Vantage features

The *Grab 'n Go* system contains an integral regulator; a flow-adjusting knob to set the flow of oxygen in clearly numbered increments; an easy-to-read gauge that displays a continuous indication of cylinder pressure; and a durable plastic housing that doubles as a convenient carrying handle.

Product Description

The *Grab 'n Go III* system provides flow rates from 0.5 to 15 LPM. The *Grab 'n Go Vantage* series, with its distinctive all white flow-adjusting knob, provides flow rates from 0.5 to 25 LPM and a 50 psig auxiliary connection to supply demand valves or portable ventilators at flow rates up to 100 LPM.

Flow Rate's Available (Liters Per Minute)

Grab 'n Go III									
0.5	1.0	1.5	2.0	2.5	3.0	4.0	5	10	15

Grab 'n Go Vantage									
0.5	1.0	1.5	2.0	3.0	4.0	6.0	8.0	15	25

Auxiliary 50 psig Port Availability

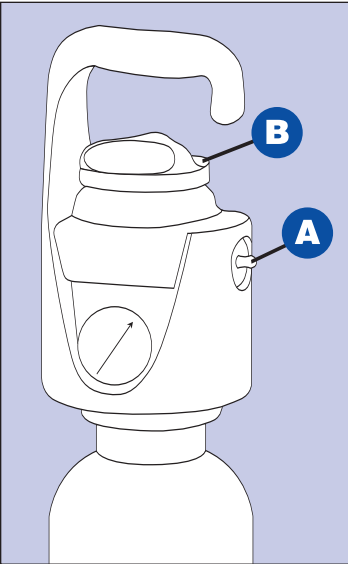
Grab 'n Go III	No
Grab 'n Go Vantage	Yes

Maintenance:

For the user, there is no special maintenance required. Flow is metered through a series of fixed orifices inside the regulator. The *Grab 'n Go III* and the *Grab 'n Go Vantage* units are maintained and tested by Praxair in accordance with manufacturer's instructions.

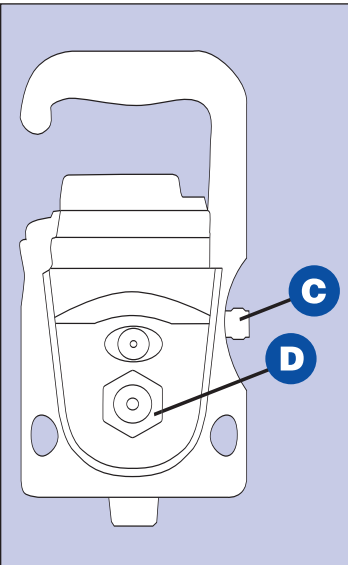
Safety Precautions

Front view



A Outlet Port
B Flow-adjusting Knob

Back view



C Auxiliary Port
D Fill Port (Never Remove Cap)

Before using or working with this system, please read and understand the following safety information.

While it is very simple to use the *Grab 'n Go* system, remember that pressurized oxygen vigorously accelerates combustion. Combustibles that burn in air burn hotter and brighter in oxygen. Oil, grease, and other hydrocarbons can ignite violently (explode) in the presence of high-pressure oxygen.

The Praxair *Grab 'n Go* Portable Medical Oxygen System is equipped with a pressure-reducing regulator. This unit also contains several safety features that relieve pressure if a malfunction occurs. Continuous or intermittent escape of gas from the regulator indicates a malfunction or a leak.

Here are some other precautions to keep in mind:

- Use the unit only with equipment designed and cleaned for oxygen service.
- Keep the cylinder, regulator, and connections free of oil, grease, and other hydrocarbons. **Do not lubricate!**
- Do not smoke or allow open flames in areas where oxygen is stored or in use.
- Never wrap the unit in bedcovers or carry it under clothing.
- Always turn the unit off when not in use so that no oxygen flows from the outlet.
- The unit is designed for use above 32°F (0°C), low temperature or ice may delay or prevent the flow of oxygen.
- Do not use or store the cylinder near heat or flame. Do not expose the cylinder to direct sunlight for long periods or to any condition where temperature exceeds 130°F (54.5°C).
- Keep the unit out of reach of children.
- Store the unit indoors to protect it from temperature extremes and the elements.
- Clean cover with a clean lint-free cloth and water. **DO NOT** use flammable liquids such as alcohol to clean the unit.

- This device is ONLY for use by, or on the order of, a physician. Do not activate the unit unless you have been trained in its proper functioning or are under competent supervision.
- Avoid extended use of this unit except on the advice of a physician.
- The cylinder contains high pressure U.S.P. (United States Pharmacopoeia) grade oxygen.
- Never attempt to service the *Grab 'n Go* system or to remove the regulator from the cylinder. If the system malfunctions or develops a leak, turn it off immediately, place it outdoors, mark the unit as unserviceable and notify your Praxair representative.
- Never use the outlet port (A) when the Auxiliary port (C) is in operation.
- DO NOT take a steel cylinder into an MRI environment.

Equipment Storage, Handling, and Setup

The *Grab 'n Go* system operates ONLY when positioned at the flow rates marked on the flow-adjusting knob. If the intended flow is not marked on the flow-adjusting knob, DO NOT ATTEMPT TO USE THE SYSTEM. Consult your physician for a different flow rate or a different system.

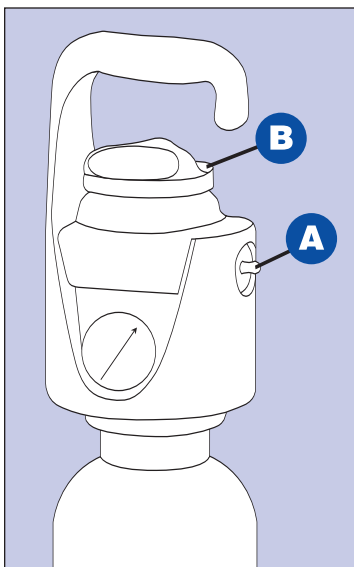
1. Store *Grab 'n Go* systems indoors in a safe area where they will not fall over or be damaged by falling objects. Never store a system in an elevated location because a fall could seriously damage the regulator or cylinder. If a system is dropped or knocked over, check to see that components are not damaged and connections remain secure.

2. Inspect the regulator's barbed outlet port for physical damage, traces of dust, dirt, oil, or grease. If you spot oil or grease or other contaminants or if you suspect their presence, do not use the unit. Do not attempt to remove the oil or grease or repair the unit. Notify Praxair or Praxair's representative immediately and have the system serviced by qualified personnel.

2B. If your unit is equipped with the auxiliary port, inspect the regulator's barbed outlet port (A) and auxiliary port (C) for physical damage, traces of dust, dirt, oil or grease. If you spot oil, grease or other contaminants or if you suspect their presence, do not use the unit. Do not attempt to repair or remove the oil or grease from the unit. Notify Praxair or Praxair's representative immediately and have the system serviced by qualified personnel.

3. Handle systems safely. Portable oxygen therapy systems are inherently subject to greater abuse than are stationary units. Avoid jarring or dropping the system.

Front view



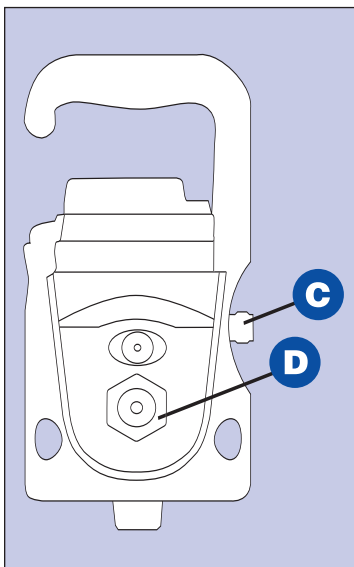
A Outlet Port
B Flow-adjusting Knob

4. Attach the oxygen supply tubing to the regulator's barbed outlet port (A) located in the access hole on the side of the housing. Rotate flow-adjusting knob (B) clockwise to one of the numbered click stops. Always verify flow with the patient's end of the tubing before applying. Make sure oxygen tubing is never folded, kinked or crushed.

Intended use

The *Grab 'n Go* system is to be used **only** at the marked liters per minute (L/min) flow rate settings. If settings other than those marked on the knob are required, do not use the *Grab 'n Go* system. Consult your physician for different flow rate or a different system. The *Grab 'n Go Vantage* unit should be selected when a flow rate of 25 L/min is required or a 50 psi auxiliary outlet to supply a demand valve or portable ventilator is required.

Back view



C Auxiliary Port
D Fill Port (Never Remove Cap)

Directions for use

1. Check the pressure gauge to ensure presence of adequate oxygen contents. To turn the system on, rotate the flow-adjusting knob (B) clockwise from the OFF position. The knob has a limited range of travel, about 300 degrees. Click stops mark each flow rate.

Caution: Never force the flow-adjusting knob.

Warning: Do not use between the clickstops at marked flow-rate settings. If settings other than those marked on the knob are needed, do not use the *Grab 'n Go* system. Always verify flow with the patient's end of the tubing before applying.

2. To turn the system off, turn flow-adjusting knob (B) counterclockwise to the OFF position. If you still hear a hissing sound, do not try to force the knob past the positive stop at the OFF position. Hissing indicates a leak. Remove the system from service, place it outdoors, mark the unit as unserviceable and notify your Praxair representative.

Warning: Do not attempt to use or repair a leaking system.

3. When using the auxiliary port on the *Grab 'n Go Vantage* unit, connect the oxygen supply hose to the auxiliary port DISS threaded connector. Rotate the flow-adjusting knob (B) clockwise until the “AUX” setting is visible in the flow setting window and verify flow at the device. Never attach a patient directly to the auxiliary port (C). The auxiliary port’s (C) flow rate is not regulated and excessive flow to the patient will result. When the flow-adjusting knob (B) is in the “AUX” setting, no oxygen is supplied to the outlet port (A).

Caution: Never attempt to repair any part of the regulator. Any needed system repairs must be performed by an authorized Praxair representative.

Unit replacement and refill

The high-pressure gauge visible through the plastic housing gives a continuous reading of cylinder pressure, regardless of whether oxygen is flowing or not. To ensure proper functioning and an adequate supply of oxygen, replace the system whenever the gauge indicates 500 pounds per square inch (psi) (3,500 kPa) or less.

The Praxair *Grab 'n Go III* and *Grab 'n Go Vantage* systems must be refilled with USP grade medical oxygen by Praxair or an authorized Praxair dealer.

Caution: Never attempt to remove the large cap (D) from the regulator’s fill port.



Giving caregivers an even greater hand.

Recommended Reference Publications

Publication Title	Publication No.	Source
Safety Precautions and Emergency Response Planning Awareness: Oxygen, Nitrogen, Argon, Helium, Carbon Dioxide, Hydrogen, Fuel Gases	P-3499	Praxair, Inc. P.O. Box 44 Tonawanda, NY 14150-7891 Phone: 1-800-PRAXAIR
Condensed Safety Information, Compressed Gases and Cryogenic Liquids	P-12-237	
Guidelines for Handling Compressed Gas Cylinders and Cryogenic Liquid Containers	P-14-153	
Material Safety Data Sheet - Oxygen	P-4638	Praxair supplier, sales representative, the Call Center (1-800-PRAXAIR), our Web site (http://www.praxair.com), or write the Praxair Tonawanda, NY address above.
Additional copies of this publication	P-15-228 B	
Safe Handling of Compressed Gases in Containers	CGA P-1	Compressed Gas Association 14501 George Carter Way Suite 103 Chantilly, VA 20151 Phone: (703) 412-0900
Accident Prevention in Oxygen-Rich and Oxygen-Deficient Atmospheres	CGA P-14	



All information referred to and/or included in the manual is current as of the original issue date of this manual. Praxair, Inc. makes no warranty or representation with respect to the accuracy of the information outside Praxair, Inc., nor does Praxair, Inc. assume responsibility for any injury or damage that may result, directly or indirectly, from the use of such information.

Praxair, the *Flowing Airstream* design, *Grab 'n Go* and *Grab 'n Go Vantage* are trademarks or registered trademarks of Praxair Technology, Inc. in the United States and other countries.

Manufactured for Praxair by Western/Scott Fetzer Co., Westlake, OH 44145.

Praxair Healthcare Services
39 Old Ridgebury Road
Danbury, CT 06810- 5113
USA
Tel: 1-800-PRAXAIR
(1-800-772-9247)
(716) 879-4077
Fax: 1-800-772-9985
(716) 879-2040

Internet: www.praxair.com/healthcare
E-mail: info@praxair.com
© Copyright 2003, 2004, 2005
Praxair Technology, Inc.
All rights reserved.

P-15-228 B

5/05